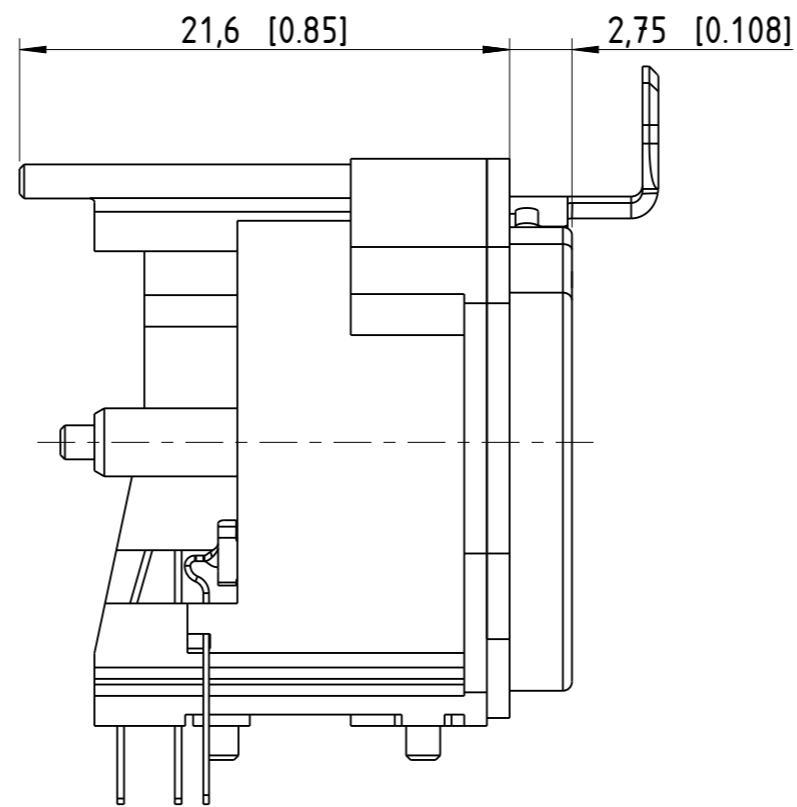
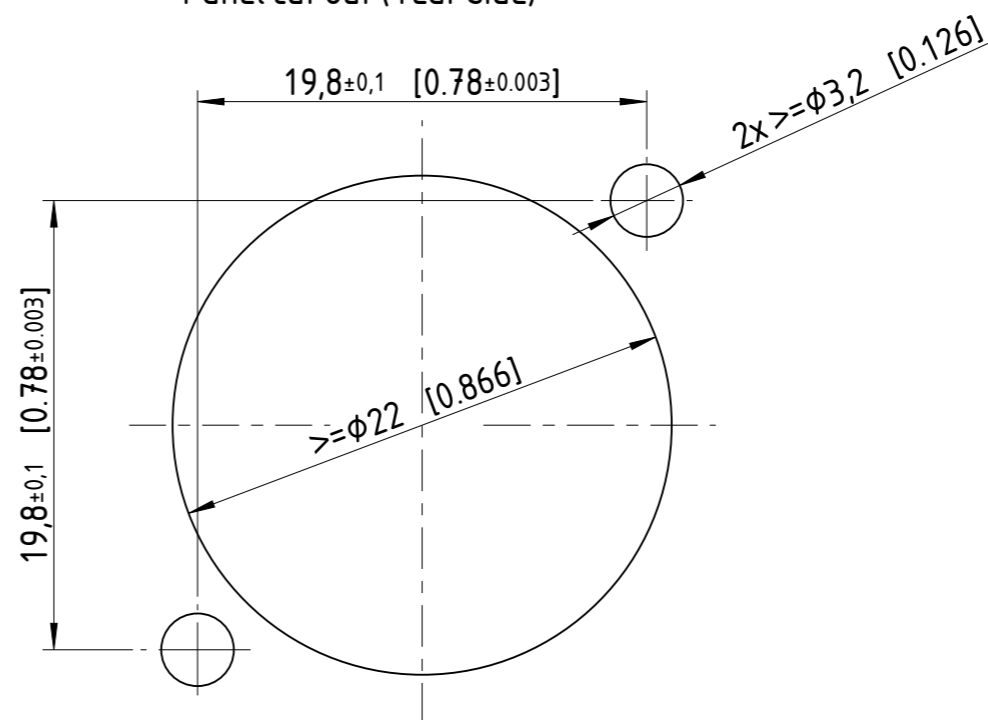
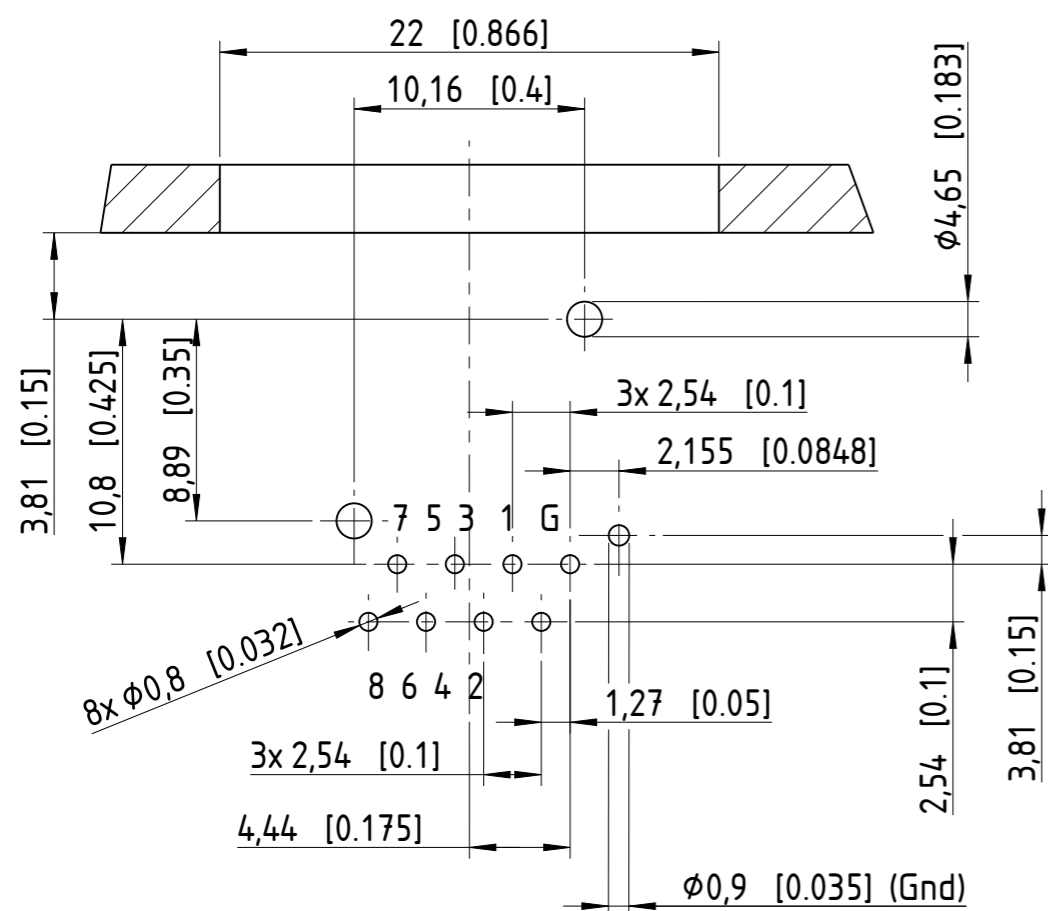
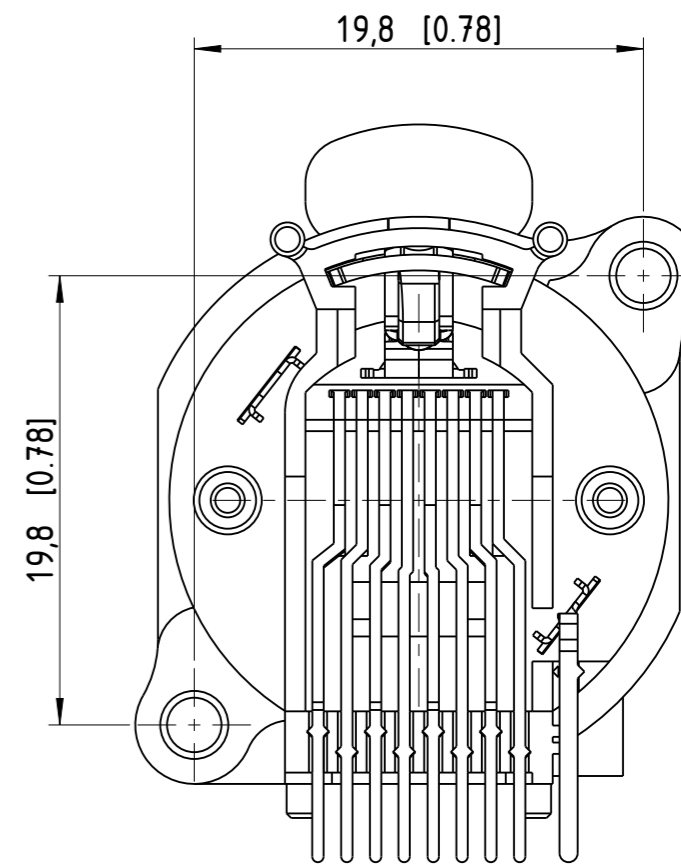


Print Bohrplan Bestückungsseite
PCB-Layout (component side)



Frontplattenausschnitt (Rückseite)
Panel cut out (rear side)



Sheet Number 1/1	Projection 	Scale 3:1	Format A3	General Tolerancing ISO 2768 mK	
Description			Created on/by	22.11.2001	wcadmin
NE8FAH komplett			Approved on/by	02.08.2024	Schmiedl T.
			Article ID	Model ID	Drawing ID
Status			Revision	ECN Number	
Released			C	-	