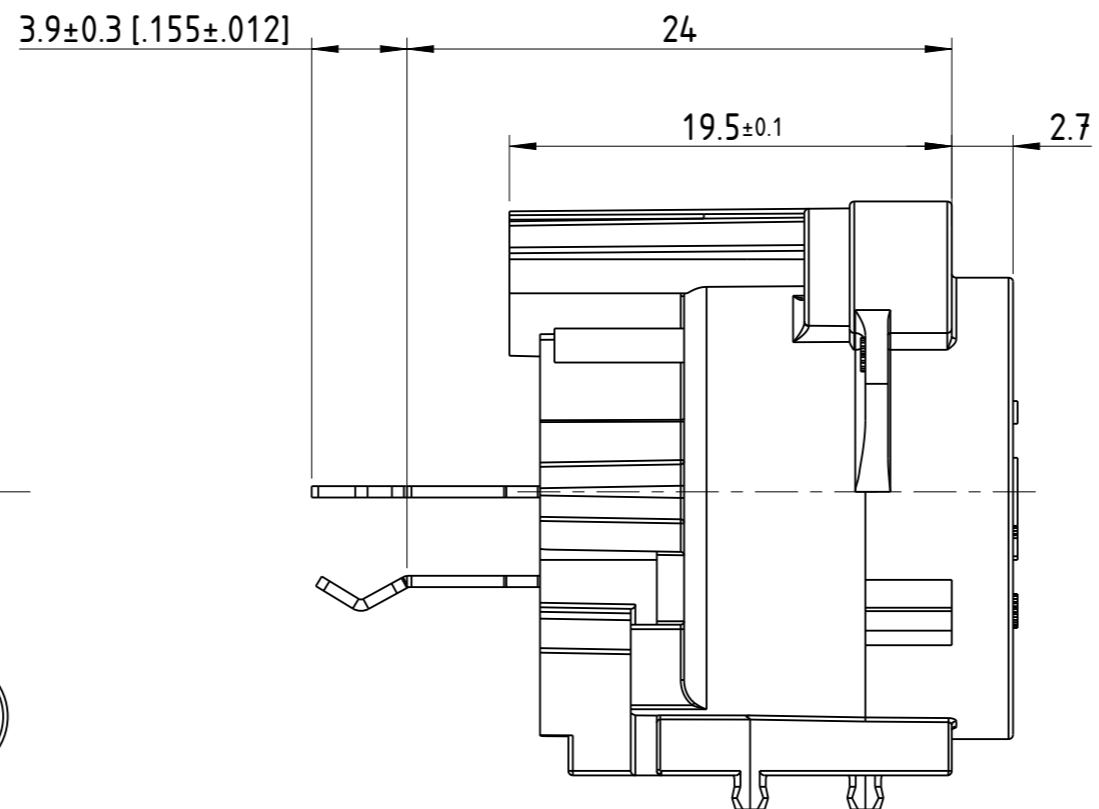
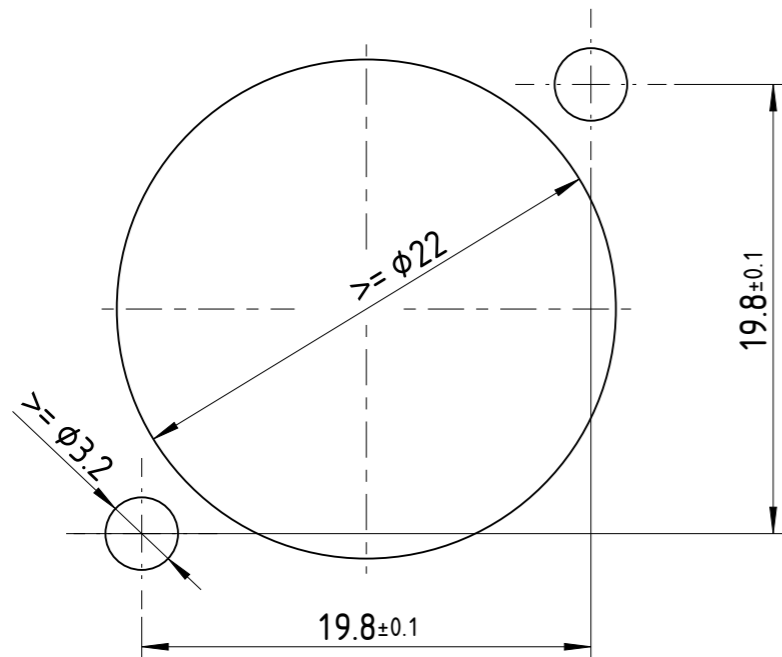
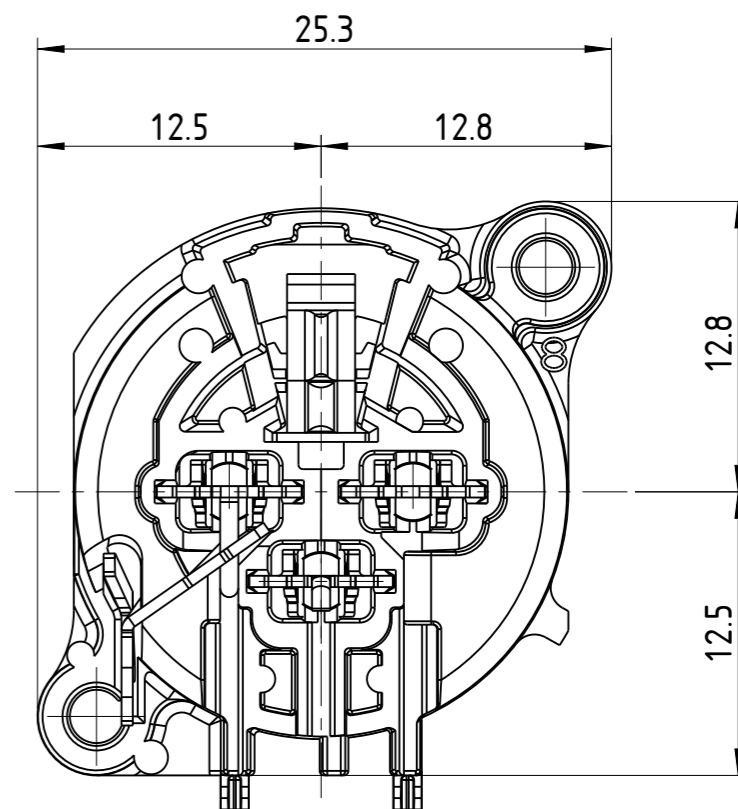
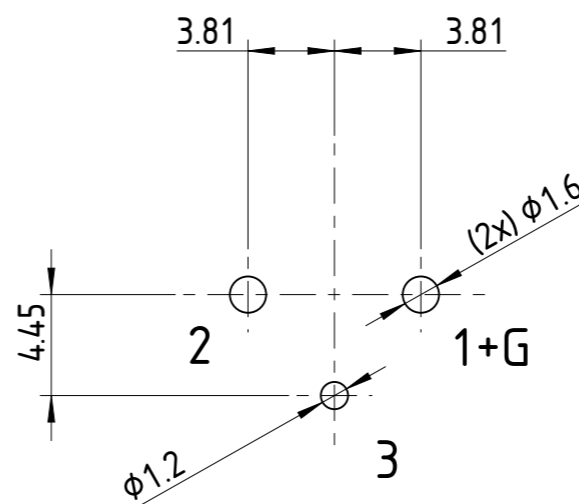


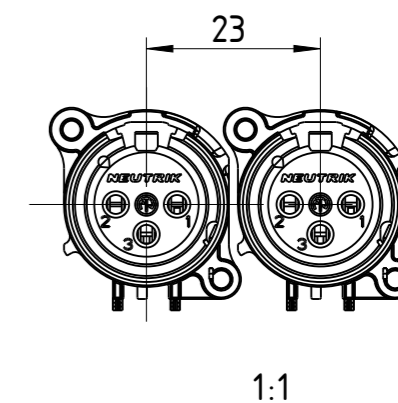
Frontplattenausschnitt (Rückseite)  
Panel cut out (rear side)



Print-Bohrplan (Bestückungsseite)  
PCB-Layout (component side)



min. Einbauabstand  
min assembling distance



Housing material: UL94 V-0

Sheet Number 1/1	Projection 	Scale 3:1	Format A3	General Tolerancing ISO 2768 mK	
Description			Created on/by	20.09.2004	Mijatovic N.
NC3FAV1-0			Approved on/by	13.01.2025	Feurle E.
			Article ID	Model ID	Drawing ID
			NC3FAV1-0	30012083	20006302
Status			Revision	ECN Number	
Released			C	-	

**Neutrik Group**