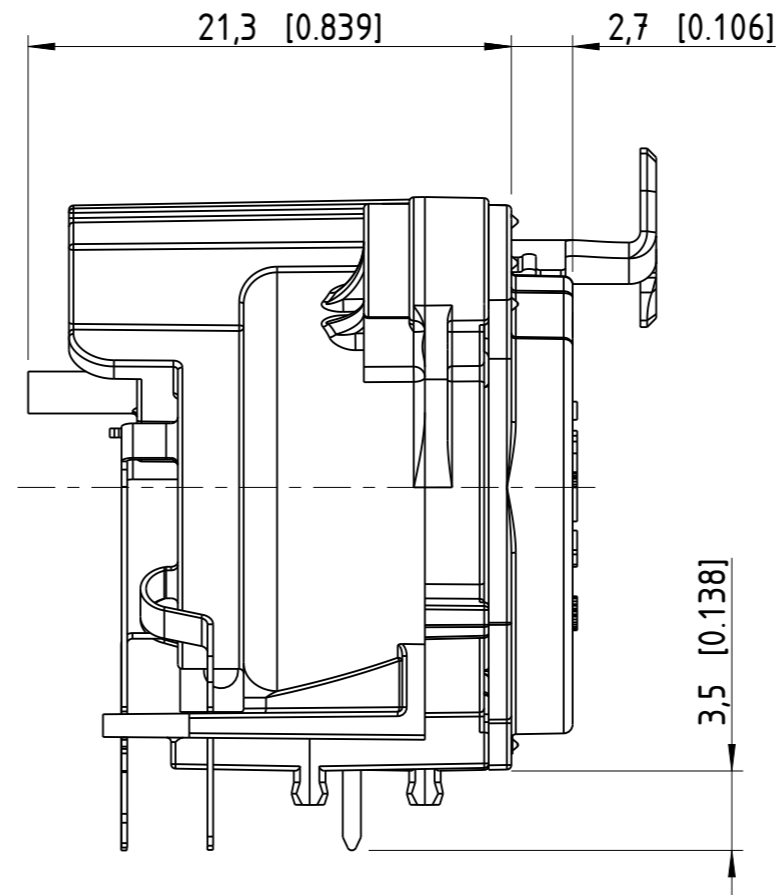
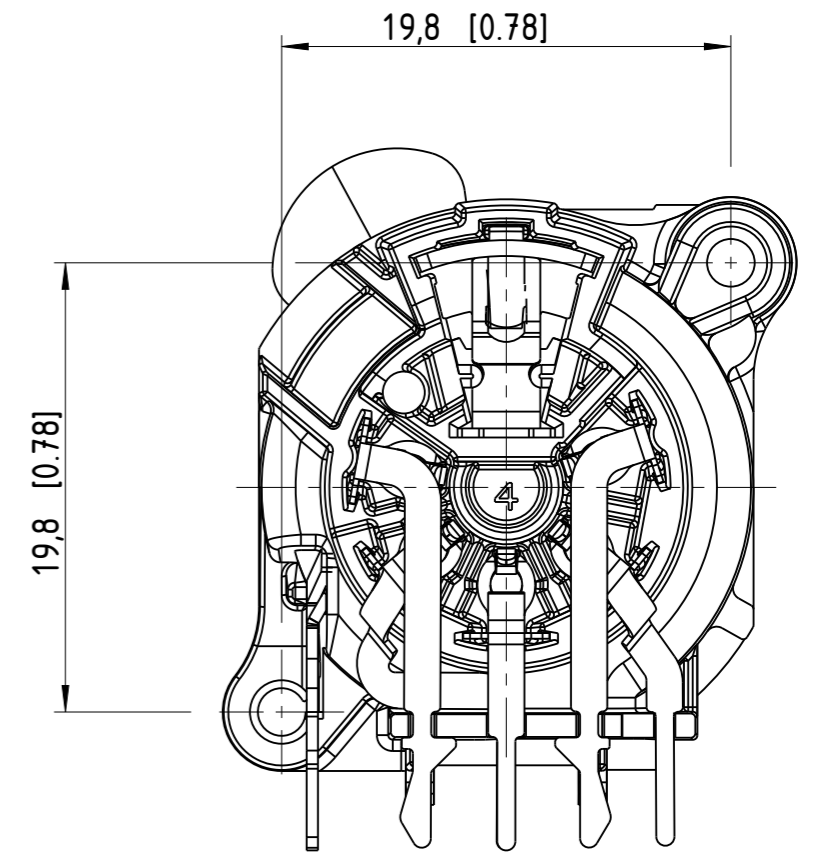


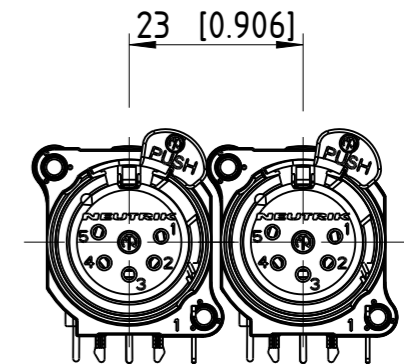
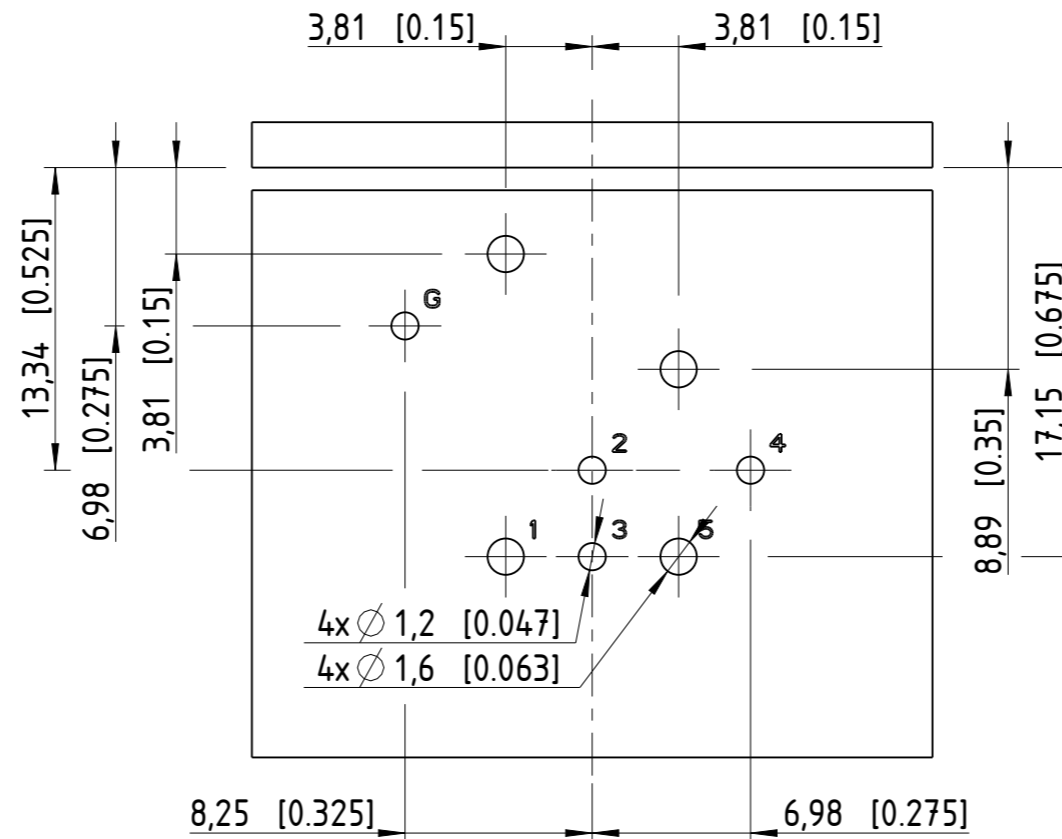
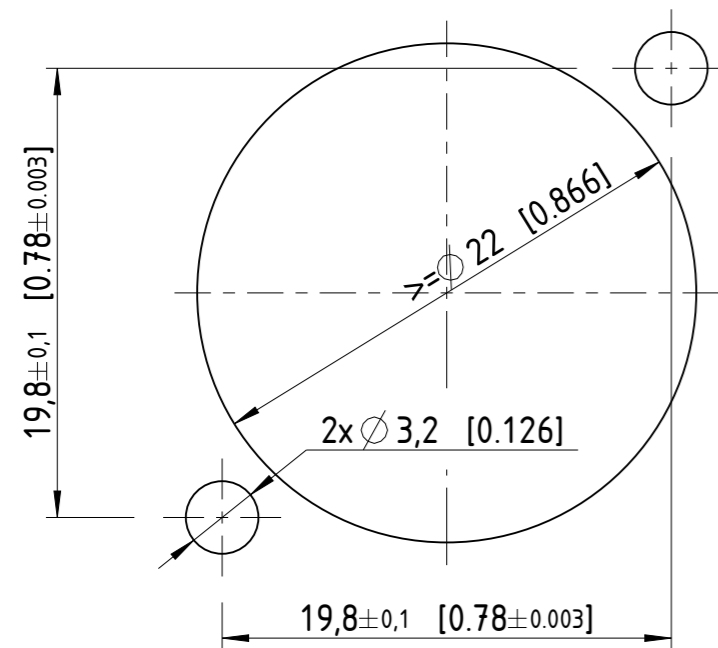
Frontplattenausschnitt (Rückseite)  
Panel cut out (rear side)



Print Bohrplan (Bestückungsseite)  
Pcb-Layout (component side)



min. Einbauabstand  
min assembling distance



Sheet Number 1/1	Projection 	Scale 3:1	Format A3	General Tolerancing ISO 2768 mK	
Description			Created on/by	09.12.2021	Zechmann K.
NC5FBH1-DA			Approved on/by	22.01.2025	Mangeng M.
			Article ID	Model ID	Drawing ID
Status			Revision	ECN Number	<b>Neutrik Group</b>
Released			A	20000000	