



# PRODUCT MANUAL

Combo E Series | 3 pole XLR female receptacle with  
1/4" stereo jack

## 1 Connector installation

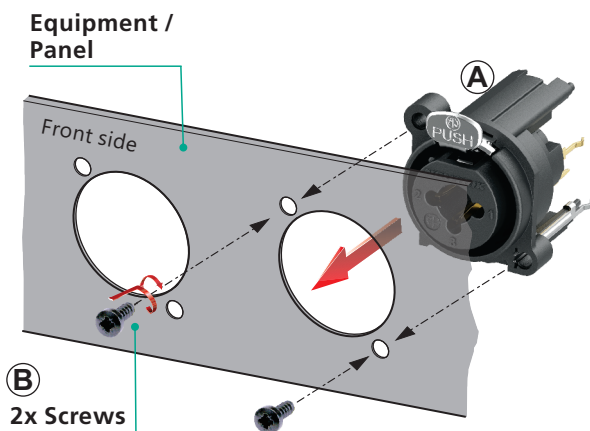


Example (NCJ6FE-V) of Delivery.

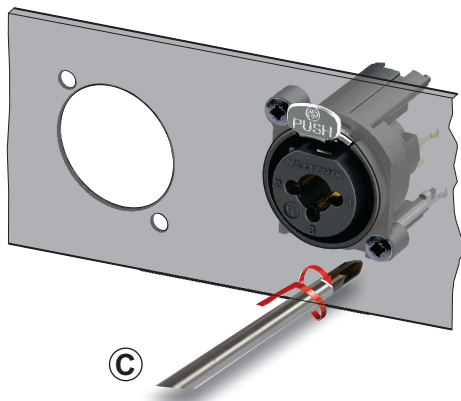
Panel thickness: 1 - 3 mm [0.04 - 0.12"]

Panel thickness recommendation is based only on metal panels and may differ for other materials.

### Step 1: Assembly



- Ⓐ Insert the receptacle from the back into the panel.
- Ⓑ Position the screw and fasten it.  
(Recommended screw look at Point 2. B)



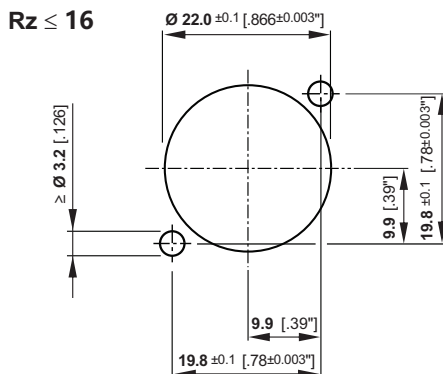
Ⓒ **ATTENTION:**  
Tightening torque  $M_A = 40 - 60$  Ncm



POZIDRIV® #1

## 2 Additional information

### A Panel Cutout (Rear Side)



### B Recommended screw

#### A-Screw-1-8

Black self-tapping PLASTITE®\* screw 2.9 x 1.05 triangle-shaped configuration, 8 mm long, panhead.



## 3 Compatibility information

- The products are suitable for use with Neutrik XLR and Plug connectors. When used with other products, the suitability and safety must be assessed before use and, if necessary, suitable safety measures must be taken.

## 4 Application and Safety Instructions

### A Assembly

- When assembling and processing the product, ensure the use of appropriate personal protective equipment.
- Neutrik components must only be assembled with designated and specified Neutrik components.
- Replacement parts are suitable only when used in combination with the designated components. The product's characteristics are guaranteed only in the intended combination.
- The male products are to be used exclusively as received connectors so that they touch male contacts are never under load when unplugged.
- The product may only be soldered by trained professionals.

### B Application

- The product is exclusively intended for installation in electronic equipment or similar devices.
- The product is not intended for use in medical applications.
- The product is not intended for use in potentially explosive or flammable environments.
- The product is not intended for use as climbing aids. Attention electrical hazards.

### C Operation

- Children must be supervised to ensure that they do not play with the product.
- Ensure that the contact surfaces are dry before plugging in.
- Product surfaces may cause burns at elevated ambient temperatures. Ensure the use of appropriate protective equipment.
- Neutrik products shall only be combined with products from Neutrik Group brands.
- Do not plug under load.





## D Cleaning

- Clean only with dry and lint-free materials or compressed air.
- The product must not be cleaned while under load. The product may only be cleaned while it is not connected to any voltage and without the use of cleaning agents.

## E Damages

- Handle products with care.
- In case of visible damages, check the suitability of the product for use.
- The product must be checked regularly for suitability.
- The local maintenance regulations must be followed.

## F Storage

- The product must be protected from temperature fluctuations.
- The product must be protected from excessive air pollution.
- The product must be protected from mechanical impact.

## i More Information on the website

<https://www.neutrik.com/en/neutrik/products/xlr-connectors/xlr-chassis-connectors/combo-e-series?c=audio>



\* ... PLASTITE® is a registered trademark of SFS UNImarket



Document No.: BDA 724 V1  
Date: 2024-12-16  
Neutrik AG | LI-9494 Schaan  
[www.neutrik.com](http://www.neutrik.com)

Data subject to change without prior notice. © 2024 NEUTRIK®, NEUTRIK® are registered trademark of Neutrik AG. ALL RIGHTS RESERVED.