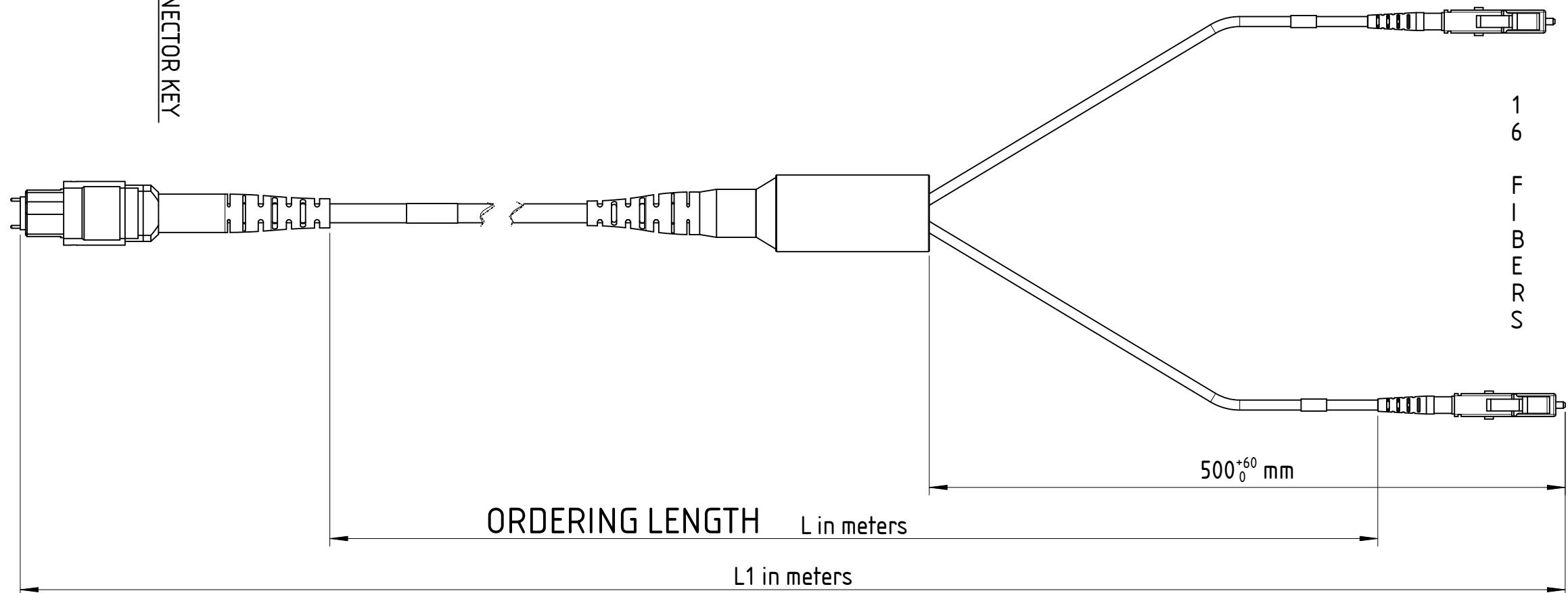


CONNECTION TABLE	
MTP / LC	FIBER COLOR
1	BLUE /
2	ORANGE /
3	GREEN /
4	BROWN /
5	GREY /
6	WHITE /
7	RED /
8	TRANSP. /
9	YELLOW /
10	PURPLE /
11	PINK /
12	AQUA /
13	BLUE /
14	ORANGE /
15	GREEN /
16	BROWN /



NOTES:

1 - DUST CAPS ARE INCLUDED BUT NOT SHOWN

2 - LC: IL<0.25dB, RL >60dB, 1310nm & 1550nm
 MTP: IL<0.35dB, RL >50dB, 1310nm & 1550nm

IL CONNECTOR VALUE ACCORDING IEC 61300-3-4 method B
 RL CONNECTOR VALUE ACCORDING IEC 61300-3-6

3 - Temperature range: operation: -20°C to +70°C (PVC)
 storage: -40°C to +70°C (PVC)
 installation: -0°C to +70°C (PVC)

The Fanoutcable is available in the following variants:

- MTP 16 [APC] to 16 x LC
- MTP 16 [APC] to 16 x ST
- MTP 16 [APC] to 16 x SC

All variants are only available in SINGLEMODE.

Sheet Number 1/1	Projection 	Scale 1:1	Format A3	General Tolerancing ISO 2768 mK	
Description			Created on/by	11.06.2024	Schuster R.
1x16 MTP(M) to 16x * 16F FANOUT CABLE			Approved on/by		
			Article ID	Model ID	Drawing ID
Status			Revision	ECN Number	Neutrik Group
			-	-	