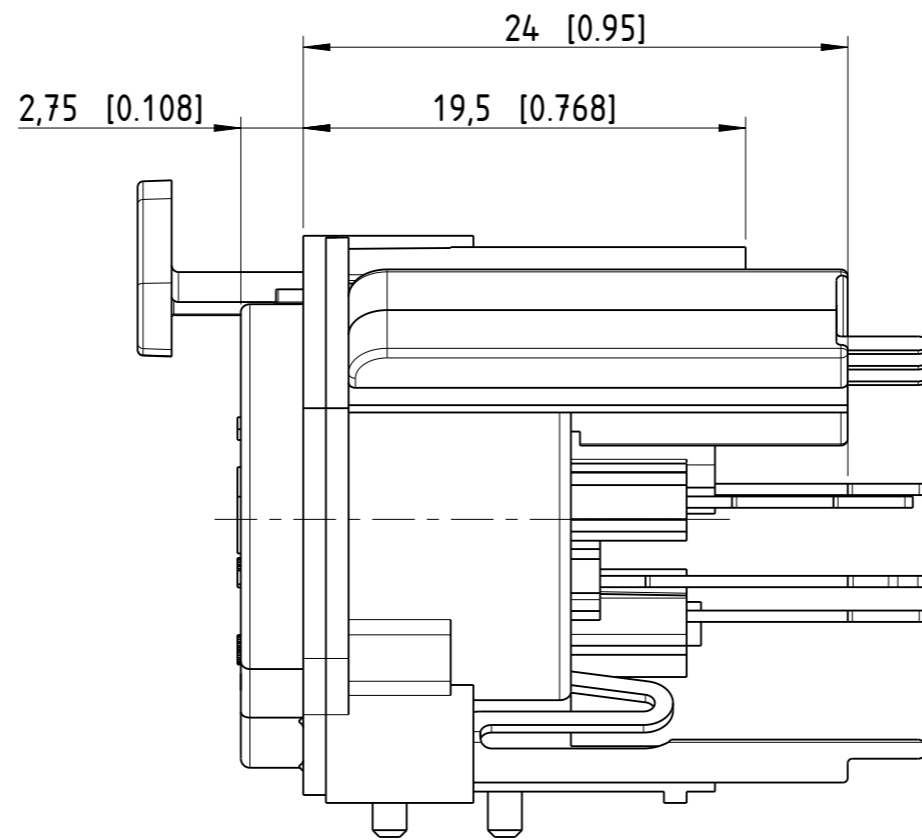
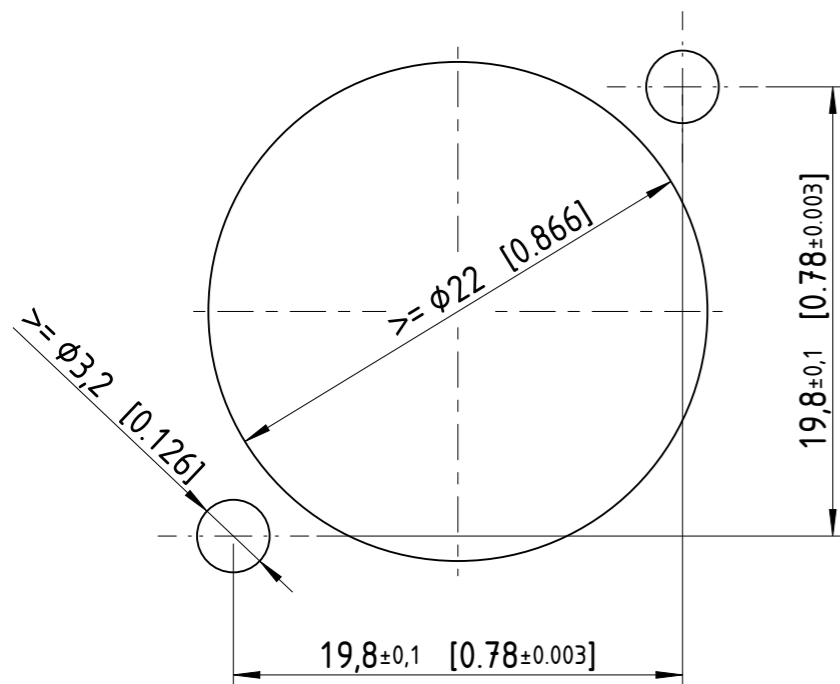
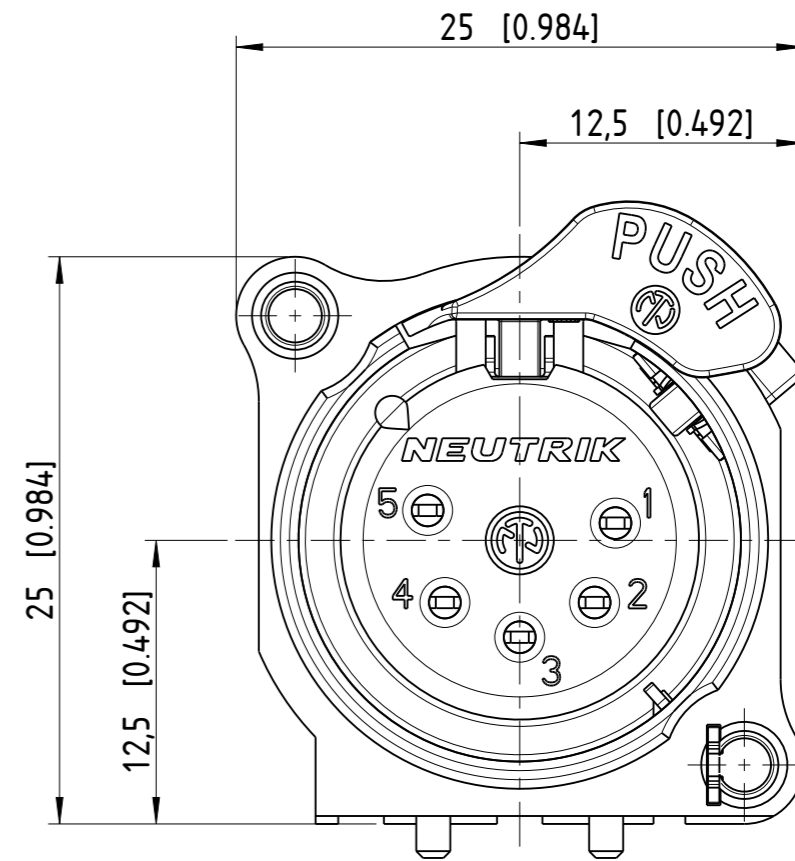
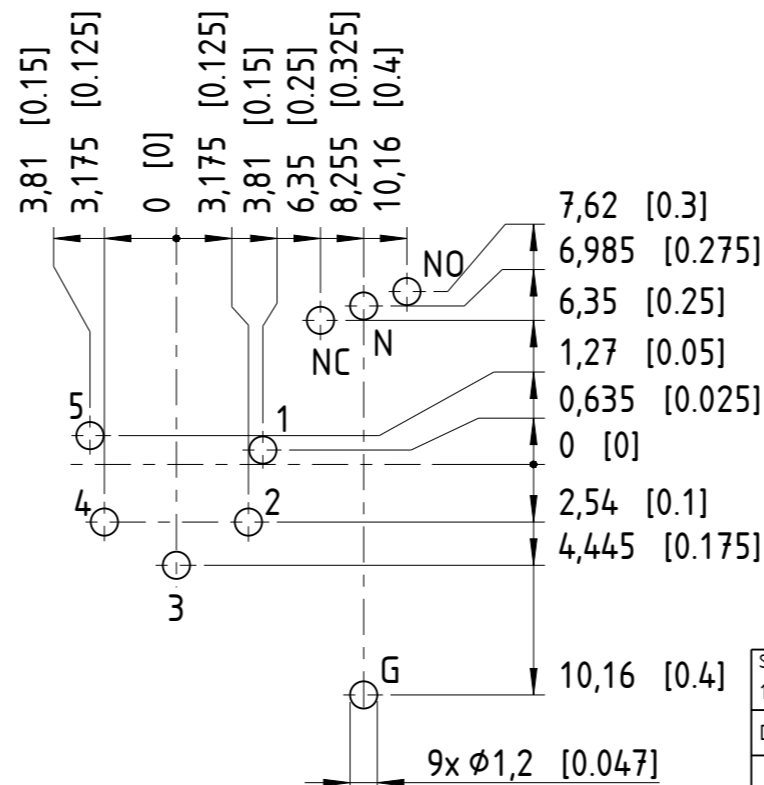


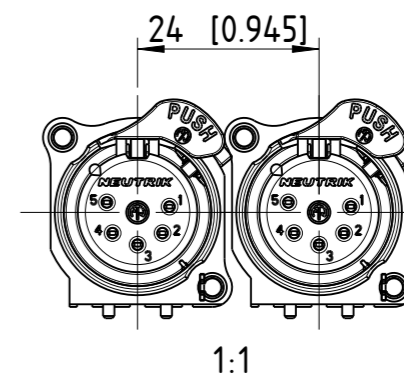
Frontplattenausschnitt (Rückseite)
Panel cut out (rear side)



Print Bohrplan (Bestückungsseite)
PCB-Layout (component side)



min. Einbauabstand
min assembling distance



Sheet Number 1/1	Projection 	Scale 3:1	Format A3	General Tolerancing ISO 2768 mK	
Description			Created on/by	12.03.2003	Ender N.
NCS5FAV-SW-AE			Approved on/by	06.07.2023	Schuster R.
			Article ID NCS5FAV-SW-AE	Model ID NCS5FAV-SW	Drawing ID 20004446
Status Released	Revision B	ECN Number -	Neutrik Group		