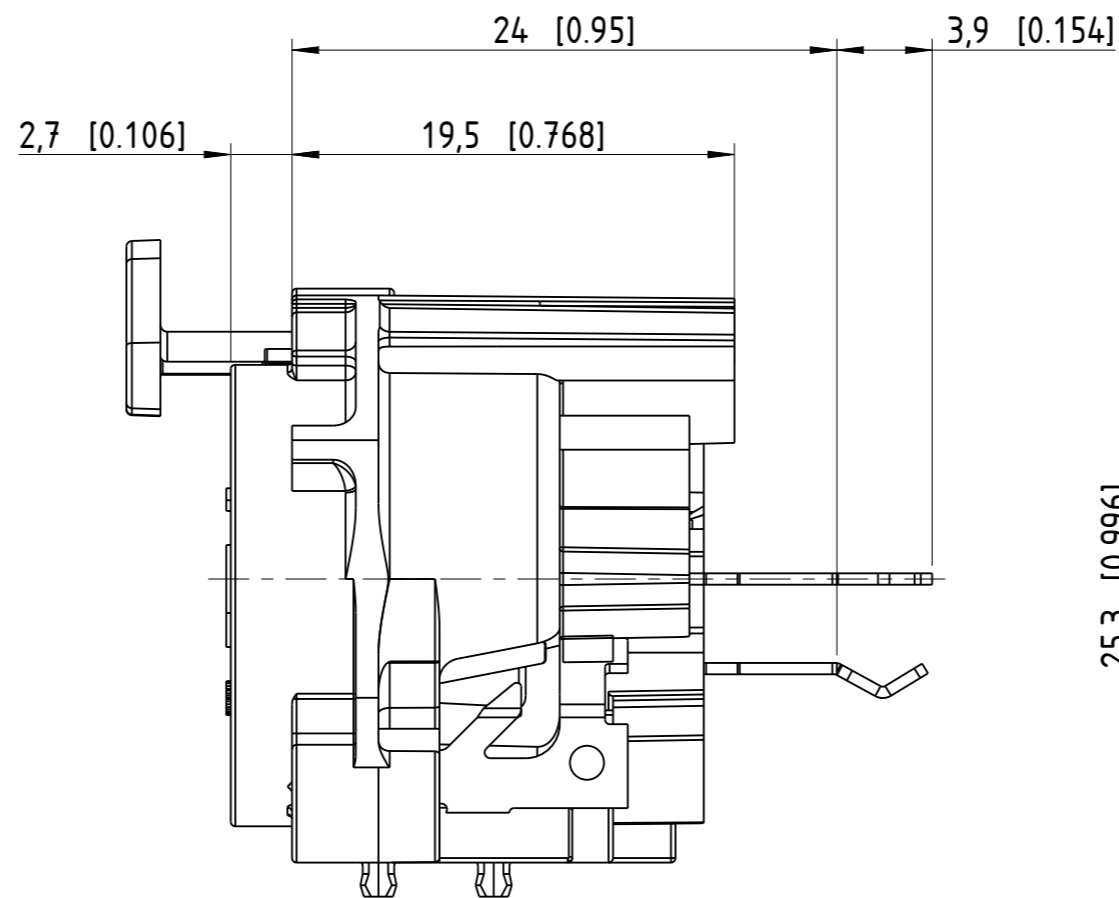
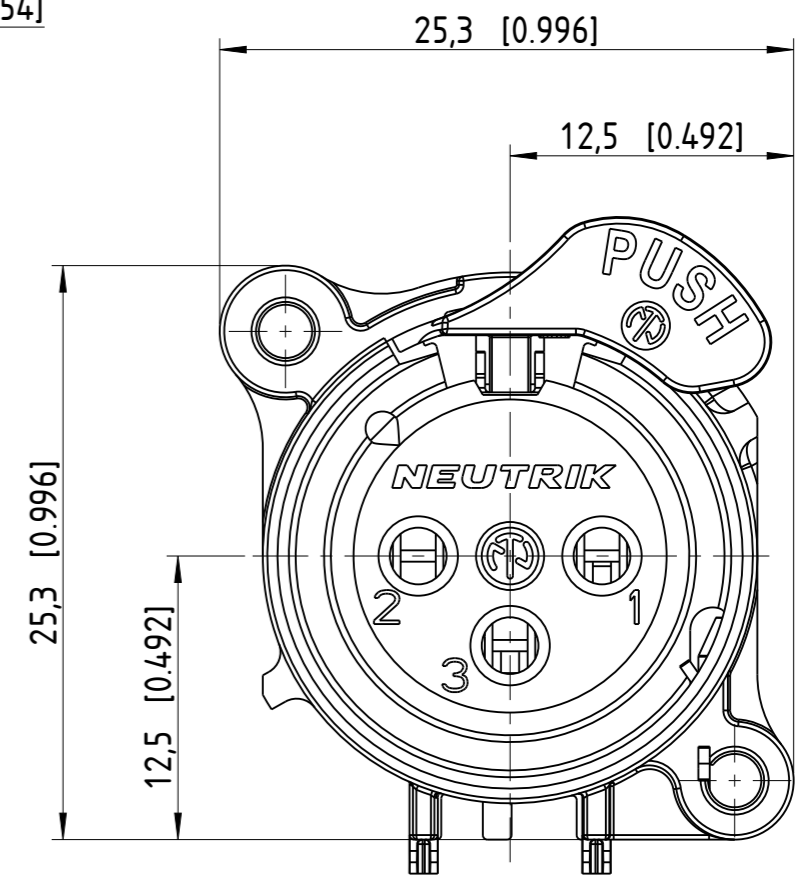


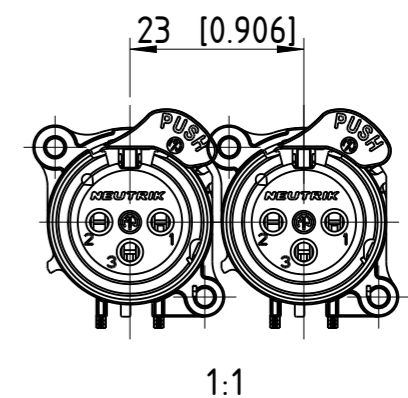
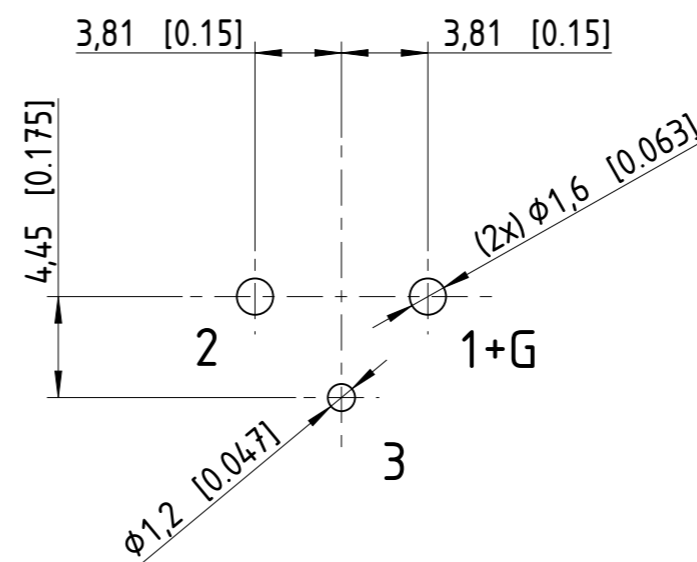
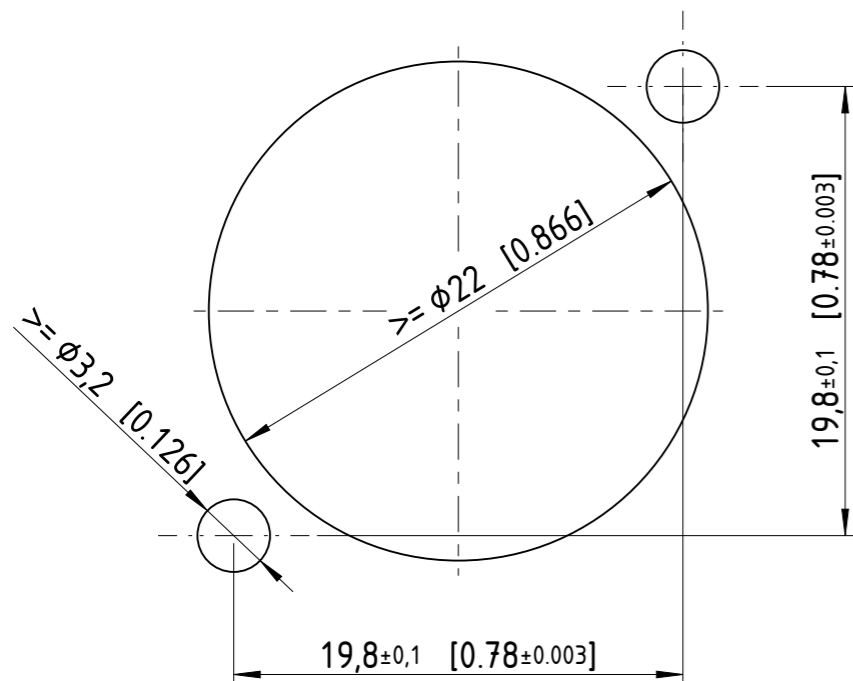
Frontplattenausschnitt (Rückseite)
Panel cut out (rear side)



Print-Bohrplan (Bestückungsseite)
PCB-Layout (component side)



min. Einbauabstand
min assembling distance



Sheet Number 1/1	Projection 	Scale 3:1	Format A3	General Tolerancing ISO 2768 mK	
Description			Created on/by	04.07.2023	Schmiel T.
NC3FAV1-AE			Approved on/by	05.07.2023	Schuster R.
			Article ID NC3FAV1-DA E	Model ID 30010760	Drawing ID 20004437
Status Released	Revision -	ECN Number -	Neutrik Group		