



PRODUCT MANUAL

etherCON® TOP airtight | NE8FDPS-TOP & NE8FDIS-TOP & NE8FDPU-TOP

! Example of etherCON TOP Unmated connection options

NE8FDPS-TOP

etherCON/RJ45 to straight RJ45 feedthrough, D-shape flange



NE8FDPU-TOP

etherCON/RJ45 to 90° angled RJ45 (upwards) feedthrough, D-shape flange.



NE8FDIS-TOP


etherCON/RJ45 to 2,54 mm box header 2x4 pin feedthrough, D-shape flange



1 Connector installation



Example (NE8FDPS-TOP) of preassembled Delivery.

✓ IP 65 & IP 67 & airtightness  TRUE OUTDOOR PROTECTION

Panel thickness: $\geq 2.0 \text{ mm [0.08"]}$
(without airtightness) $\geq 1.0 \text{ mm [0.04"]}$

Panel thickness recommendation is based only on metal panels and may differ for other materials.

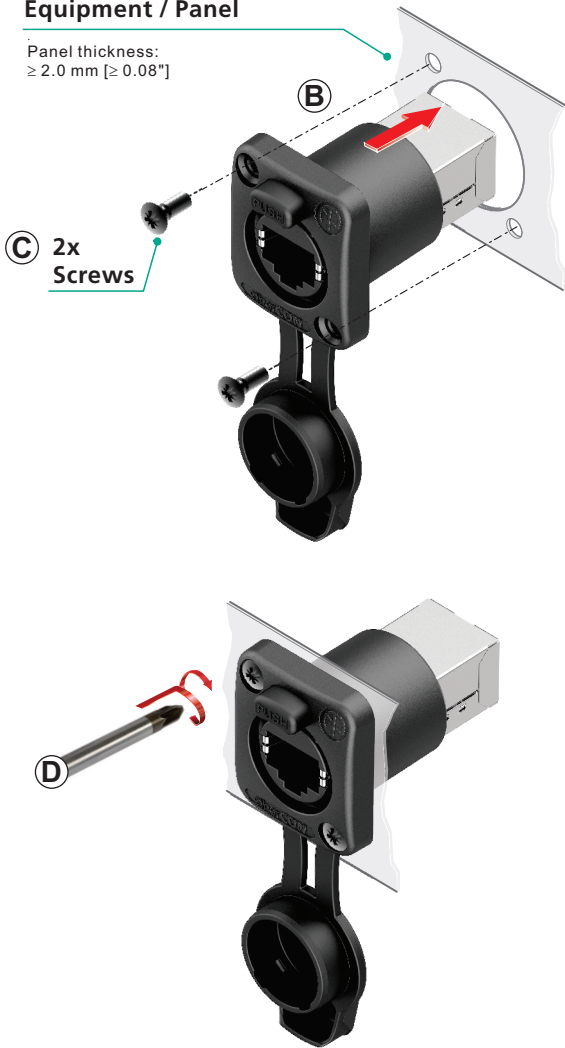
Step 1: Combine connector parts

Ⓐ Combine flange and sealing cap




Equipment / Panel

Panel thickness:
≥ 2.0 mm [≥ 0.08"]



Step 2: Assembly

- (B) Insert the receptacle from the front into the panel.
- (C) Position the screw and fasten it.

 (D) **ATTENTION:**
Tightening torque $M_A = 80 - 100 \text{ Ncm}$

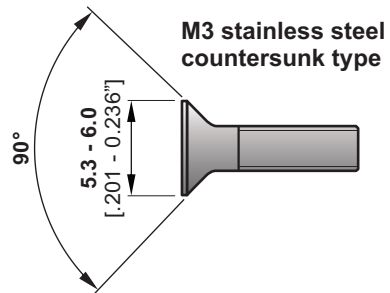
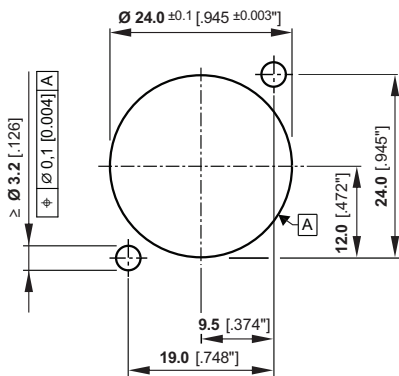
NOTE: Lubricate sealing lip with silicon from time to time.

2 Additional information

A Panel Cutout (Rear Side)

B Recommended screw

Rz ≤ 16





3 Application and Safety Instructions

A Assembly

- When assembling and processing the product, ensure the use of appropriate personal protective equipment.
- Neutrik components must only be assembled with designated and specified components.
- Replacement parts are suitable only when used in combination with the designated components. The product's characteristics are guaranteed only in the intended combination.

B Application

- The product is exclusively intended for installation in electronic equipment or similar devices.
- The product is not intended for use in medical applications.
- The product is not intended for use in potentially explosive or flammable environments.

C Operation

- Before plugging in, check the contact area for dry surfaces.
- Product surfaces may cause burns at elevated ambient temperatures. Ensure the use of appropriate protective equipment.
- Neutrik products should only be combined with products from Neutrik Group brands.

D Cleaning

- Clean only with dry and lint-free materials or compressed air.
- The product must not be cleaned while under load. The product may only be cleaned while it is not connected to any voltage and without the use of cleaning agents.

E Damages

- Handle products with care.
- In case of visible damages, check the suitability of the product for use.

i More Information on the website

<https://www.neutrik.com/en/products/audio/ethercon>



Document No.: BDA 692 V1
Date: 2025-01-23

Neutrik AG | LI-9494 Schaan

www.neutrik.com

Data subject to change without prior notice. © 2025 NEUTRIK®. NEUTRIK® are registered trademark of Neutrik AG. ALL RIGHTS RESERVED.

NEUTRIK
A brand of the Neutrik Group