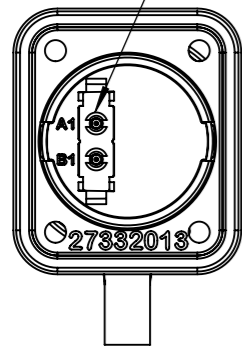
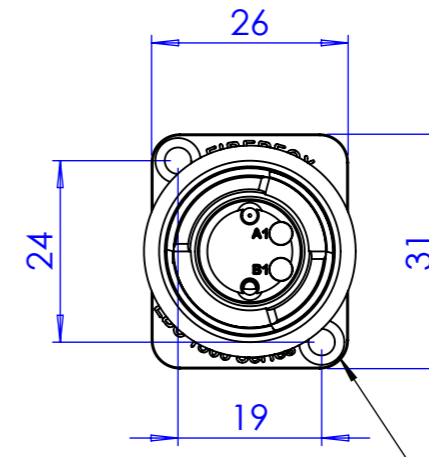
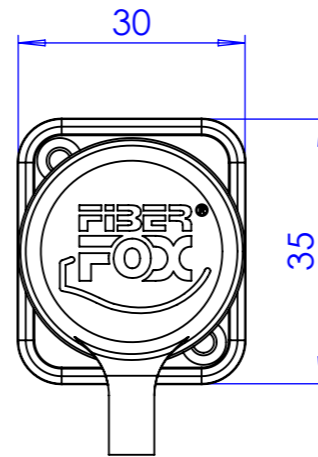
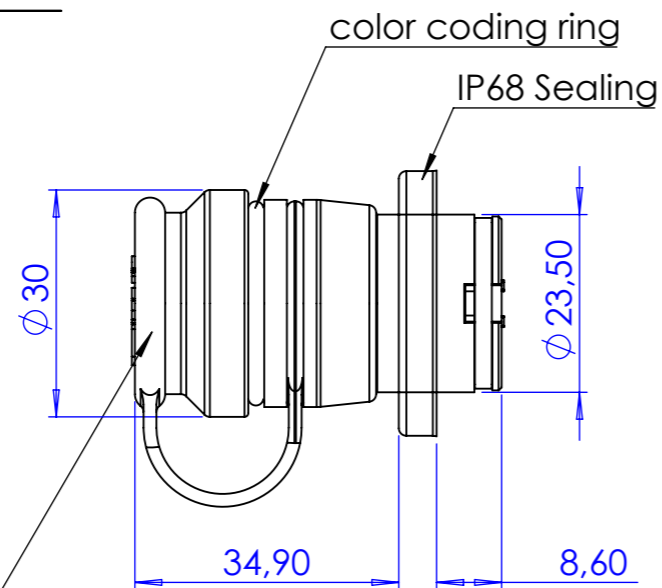


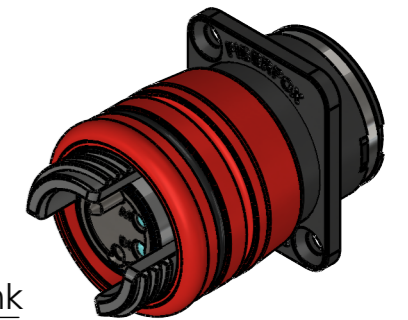
for 2x LC-Connector
MM 50/125




Protective cap



M3 countersunk



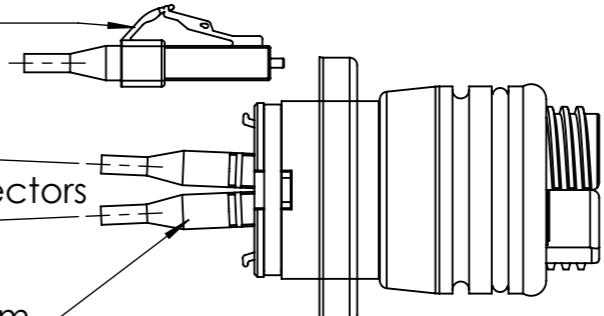
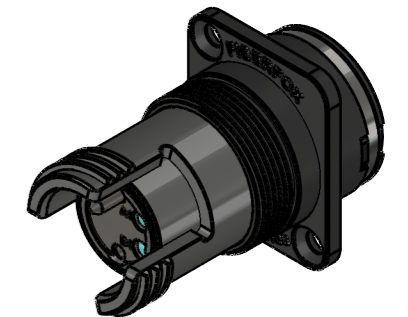
USE PROPERLY ALIGNED LC CONNECTORS ONLY

 Before coupling, remove locking clips!

Avoid splayed connectors

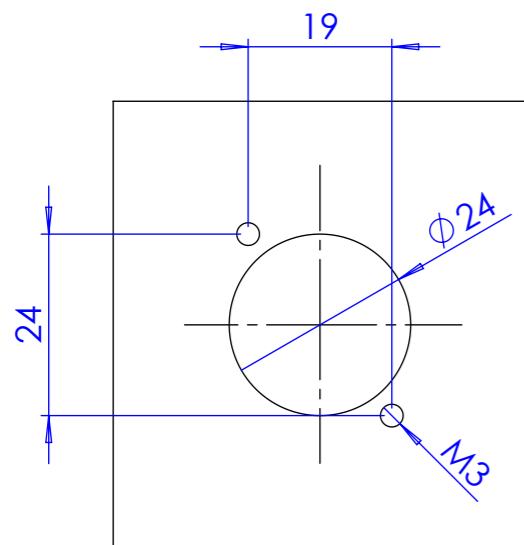
Boot $\phi < 5\text{mm}$

Avoid splayed connectors by using LCs without anti-s snag collars and a boot diameter $< 5\text{mm}$!
(e.g. original FIBERFOX patch-cable)





To mount from behind, it is possible to unscrew the case holder.
- Important, turn the IP68 Sealing!

drilling pattern from the front



To meet the IPx8 specification, the supplied screws (DIN-EN-ISO 7046 M3x10 A2 black galvanized) must be used. These screws must be tightened to a torque of 1.5 Nm.

max. sheet thickness 1,5mm with IP68 turned sealing
max. sheet thickness 3,5mm without IP68 sealing

Sheet Number 1/1	Projection 	Scale 1:1	Format A3	Tolerancing ISO 2768-m	
 70 g	 cm ²	 21.12 cm ³	Created	HeBo	06.05.2021
Material			Modified		
Material addition			Approved	DiRo	06.05.2021
Description FIBERFOX EBC15 briDge Chassis coupler 2CH MM OM4			ECN Number		
			Status		
NEUTRIK	3D Model ID 4.1027421	Document ID 1027421	Revision 01		