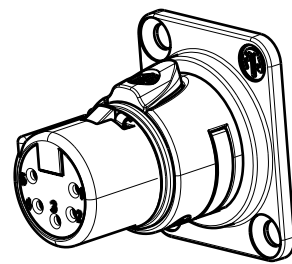
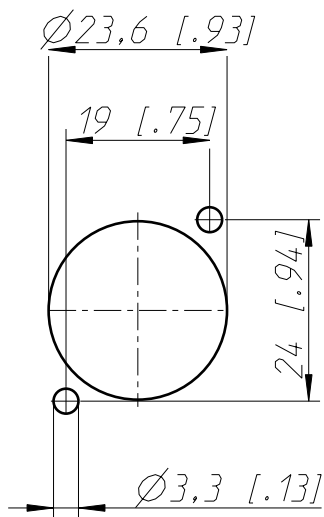


Frontplattenausschnitt (Rückseite)
Panel Cut out (rear side)



1:1

General tolerances ISO 2768-m		Scale	Date	Name
Refer to protection notice ISO 16016.		2:1 (A4)	08.10.19	Karlinger
Name D-Modul NM5FD-B		Drawn	-	-
		Modified	-	-
		Change-No.	Sheet-No.	Index
		-	1 / 1	
NEUTRIK		Replacement for:		
		Drawing-No. ST-NM5FD-B		