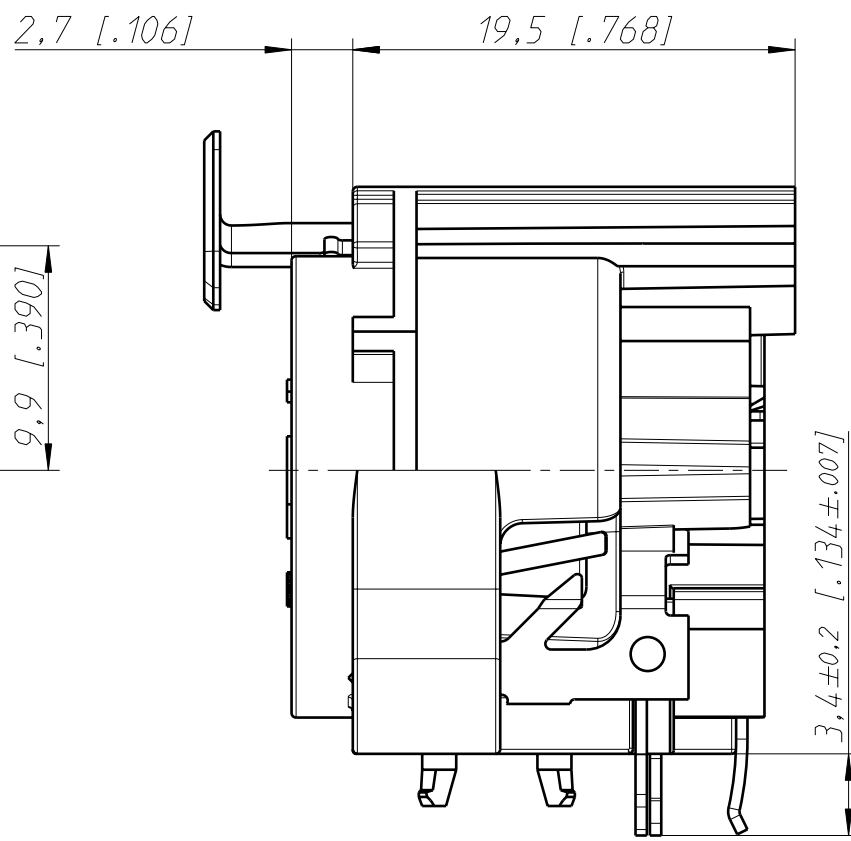
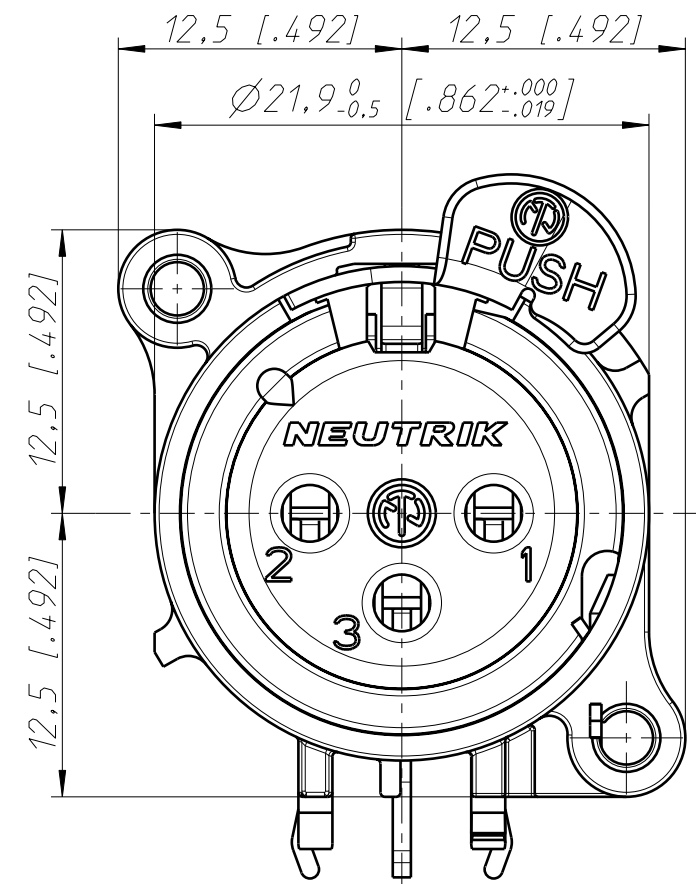


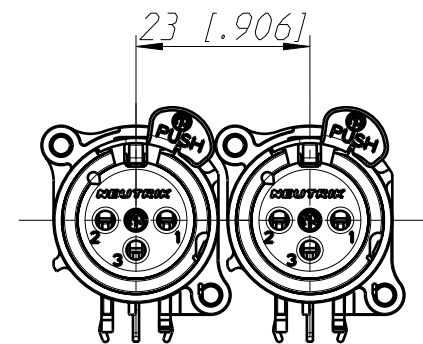
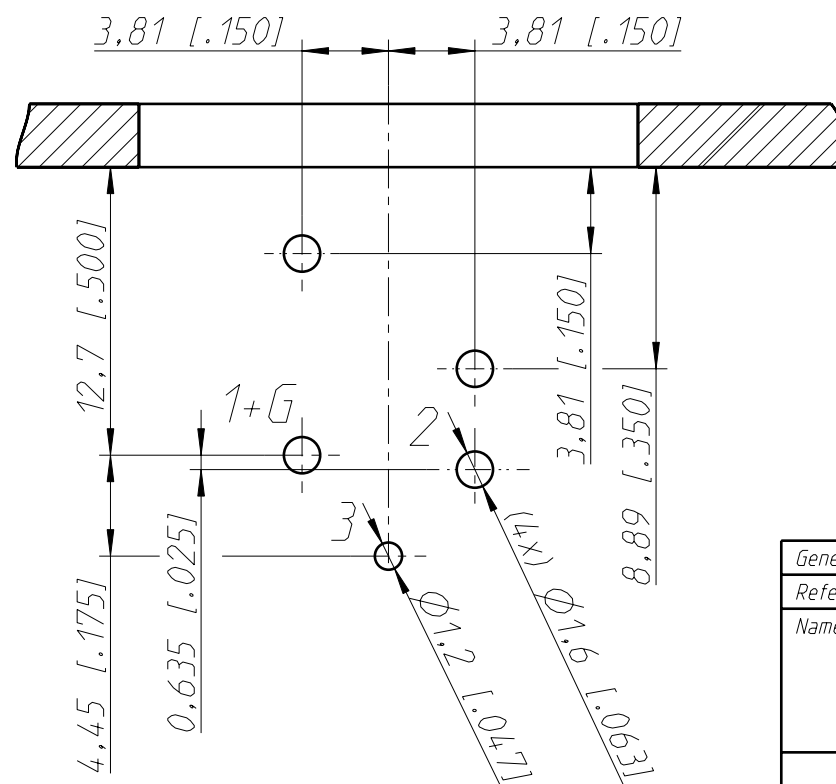
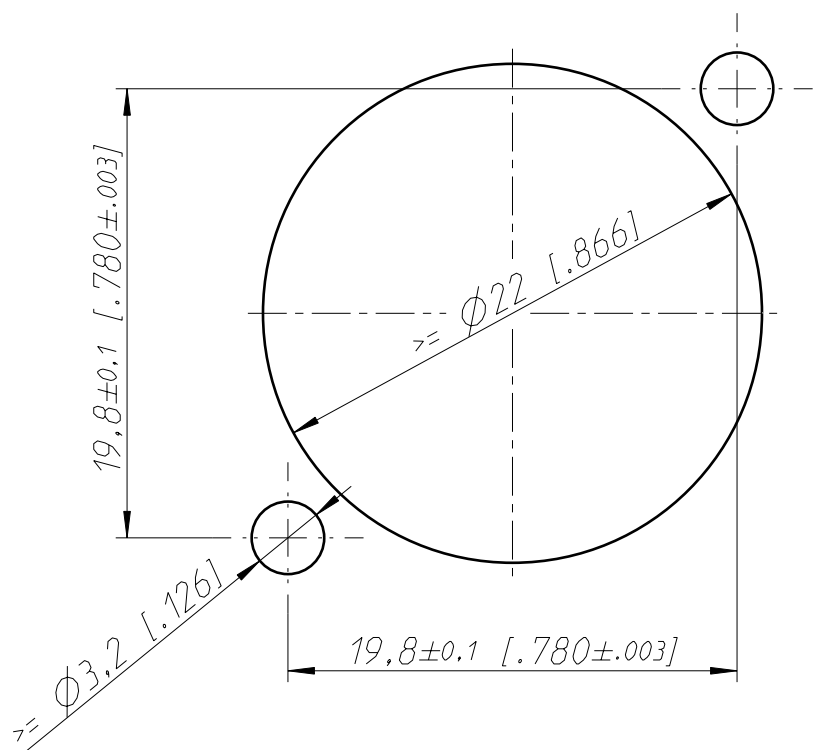
Frontplattenausschnitt (Rückseite)  
Panel cut out (rear side)



Print-Bohrplan (Bestückungsseite)  
PCB-Layout (component side)



min. Einbauabstand  
min assembling distance



1:1

General tolerances ISO 2768-m	Scale	Date	Name
Refer to protection notice ISO 16016.	3:1 (A3)	17.05.17	Karlinger
Name	NC 3FAAH	Modified	07.03.19
	NC 3FAAH1-DA	Change-No.	Sheet-No.
		2018-0140	1 / 1
		Index	-
Replacement for:		Drawing-No.	
NEUTRIK		ST-NC 3FAAH1-DA	