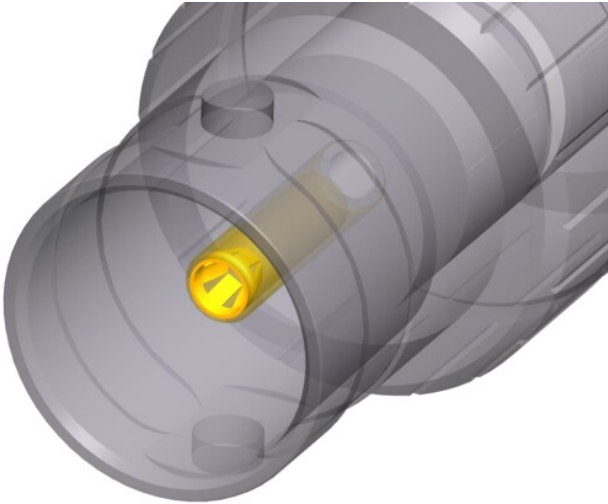




## NBB75DFIB-P

Isolated BNC chassis connector, feedthrough in black D-shape housing, protruding version (makes locking and unlocking of conventional BNC cable connectors easy)

Neutrik's BNC chassis connectors offer a true 75  $\Omega$  design for serial and digital (HD) signals. The machined brass connector body provides an extremely rugged and non-abrasive connection over long term use in a D-shape housing (audio industry standard).

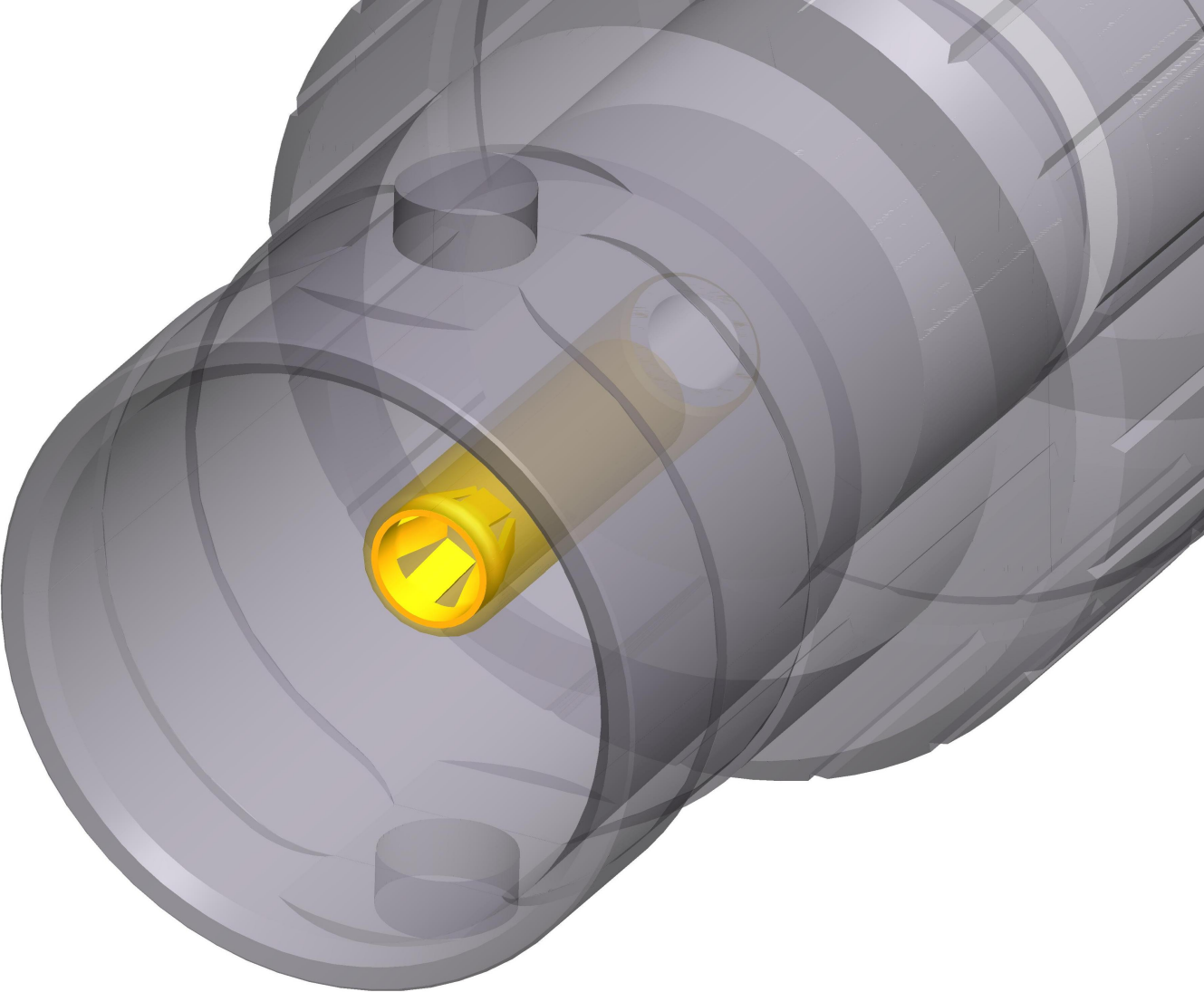


## Features & Benefits

- Gold plated cage type center contact
- True 75  $\Omega$  design meets the stringent HD requirements
- Isolated panel mount (solves potential grounding problems and prevents common-mode influence with other connections conducted over the same panel ground potential)
- Standard D-shape housing
- Protruding bulkhead jack (makes locking and unlocking of conventional BNC cable connectors easy)
- Color coding possible

## New cage type contact

- Closed contact design - extremely robust
- Gold plated cage type clip - best possible shielding and lowest contact resistance



## Technical Information

Product	
Title	NBB75DFIB-P
Connection Type	BNC 75 $\Omega$
Gender	female

Electrical	
Signal Type	HD, SDI, Video, AES/EBU, Composit, YUV, RGB, RGBH, RGBHV
Contact resistance	$\leq 3 \text{ m}\Omega$ (inner)
Contact resistance	$\leq 2 \text{ m}\Omega$ (outer)
Dielectric strength	1,5 kVdc
Impedance	75 $\Omega$
Insulation resistance	$> 5 \text{ G}\Omega$
Rated voltage	$< 50 \text{ V}$
VSWR	$\leq 1.03 / > 37 \text{ dB}$ up to 1 GHz $\leq 1.05 / > 32 \text{ dB}$ up to 2 GHz $\leq 1.08 / > 28 \text{ dB}$ up to 3 GHz

Mechanical	
Insertion force	$< 25 \text{ N}$
Lifetime	$> 1000$ mating cycles
Wiresize	
Locking device	Bayonett
Mounting direction	Front mounting
Chassis shape	D

Material	
Contacts	Brass (CuZn39Pb3), 0.2 µm AuCo (Center contact)
Insert	PTFE
Shell	Polyacetal (POM) (Insulation Sheell)
Shell plating	Optalloy®
D-Shape housing	Zinc diecast (ZnAl4Cu1) gal black chrome plating

Environmental	
Temperature range	-30 °C to +85 °C